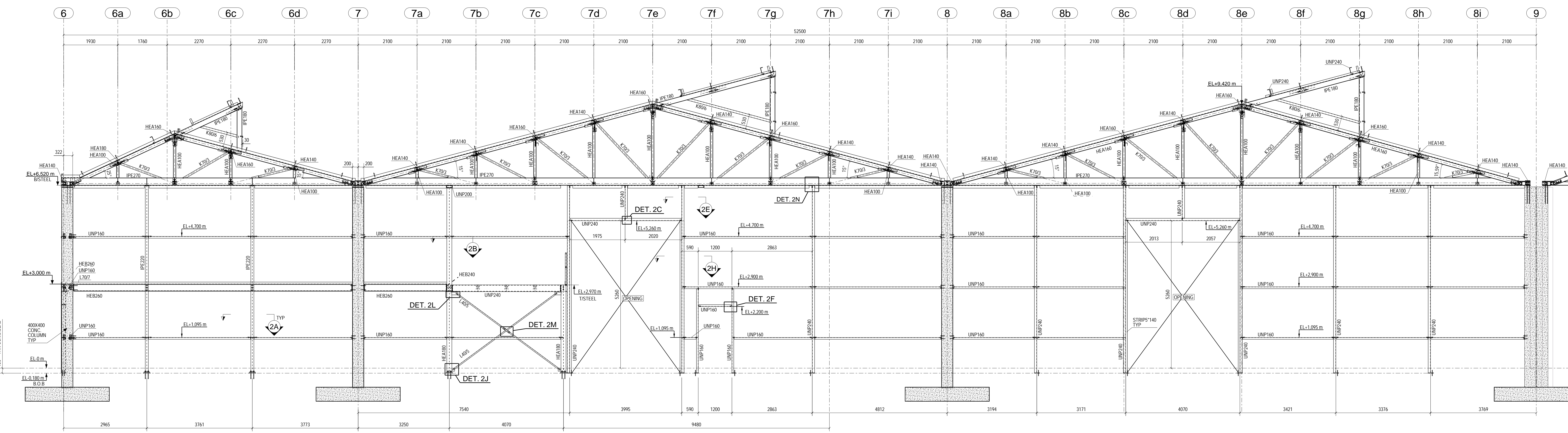
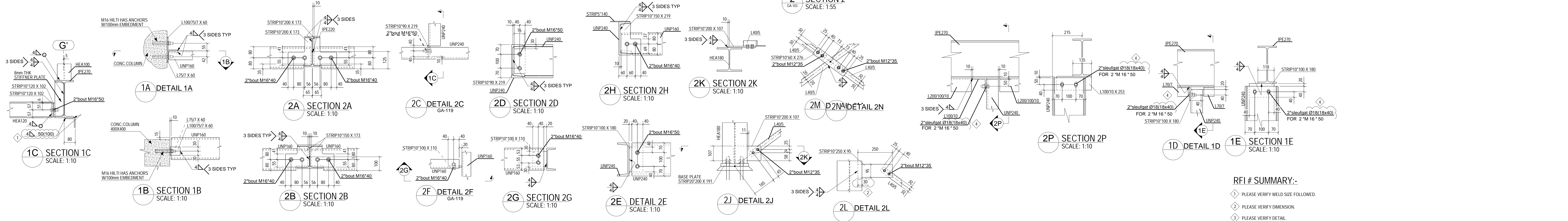


1 SECTION 1  
SCALE: 1:55  
REFER SECTION A/E104 FOR PURLINE SUPPORT FIXING.



2 SECTION 2  
SCALE: 1:55



RFI # SUMMARY:-  
 1 PLEASE VERIFY WELD SIZE FOLLOWED  
 2 PLEASE VERIFY DIMENSION  
 3 PLEASE VERIFY DETAIL  
 4 PLEASE VERIFY SLOT LENGTH FOLLOWED