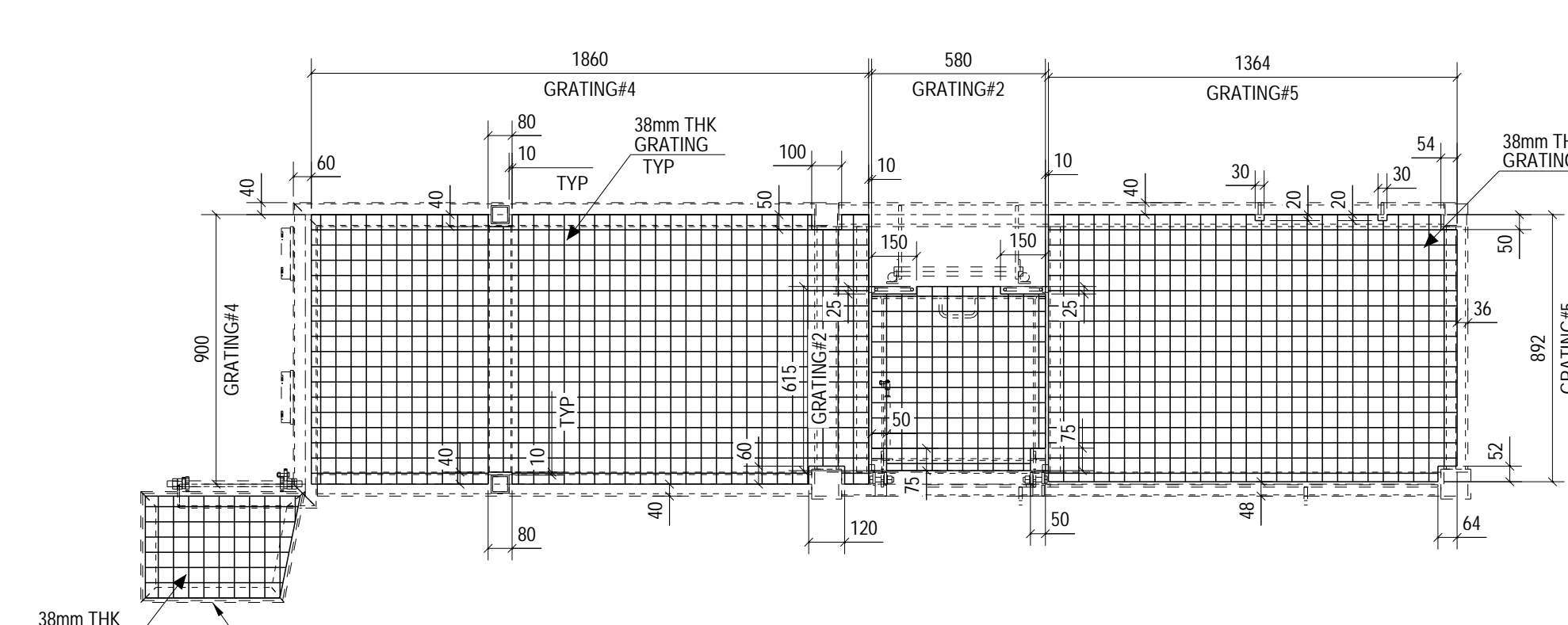
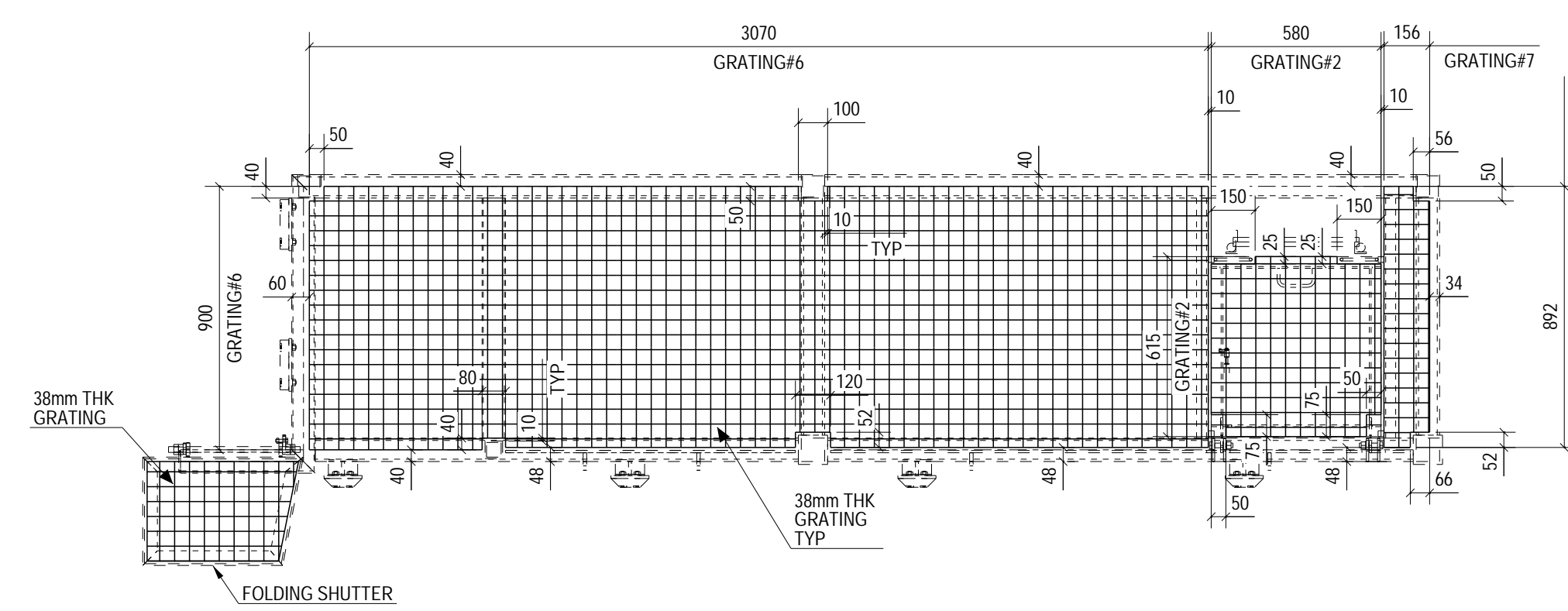


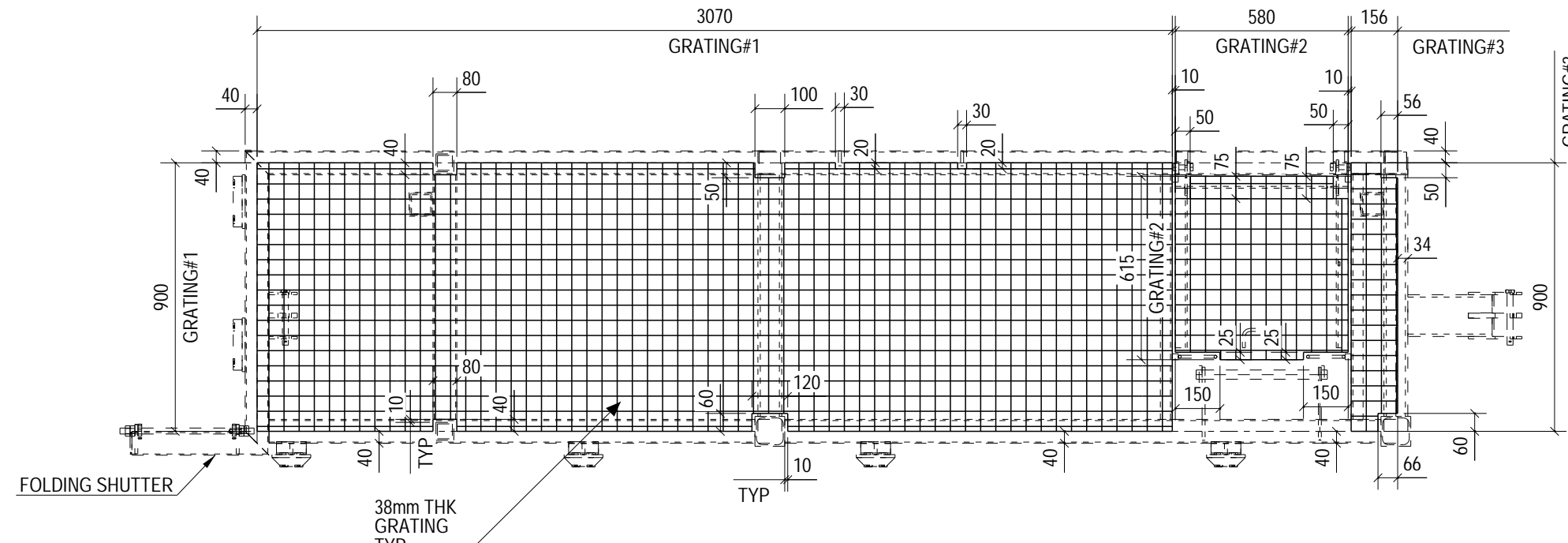
OS SIDE PLATFORM 1
GRATING & LADDER LAYOUT AT LEVEL-1



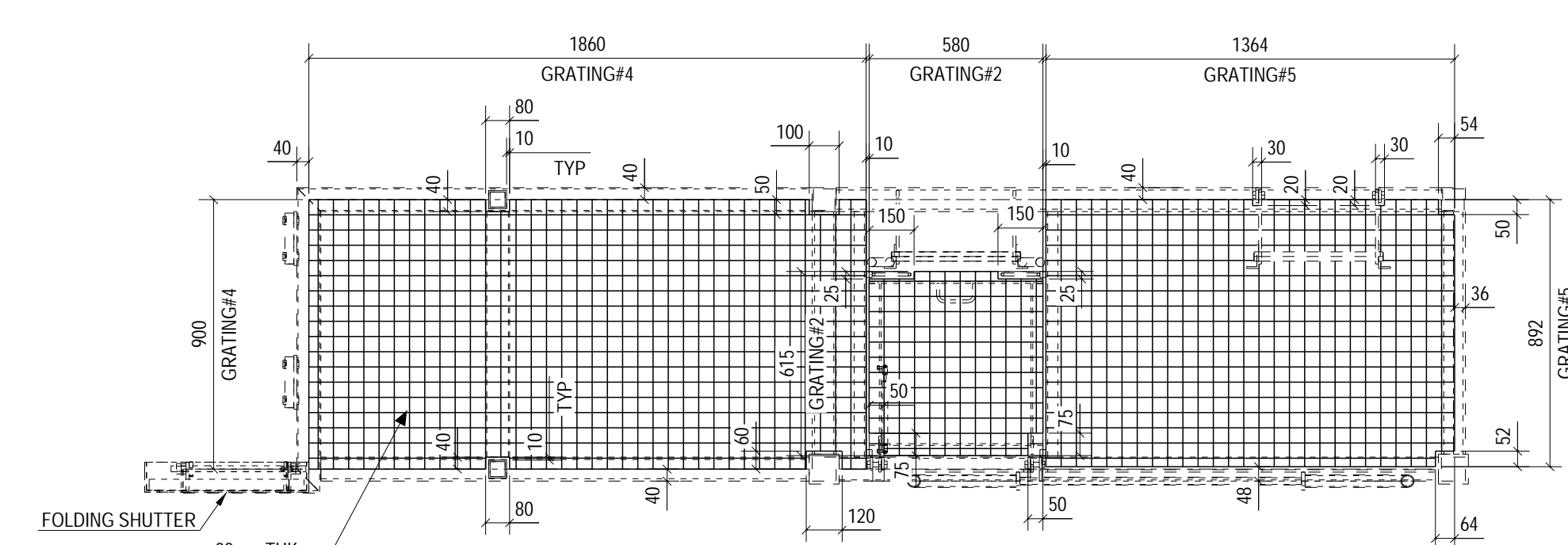
OS SIDE PLATFORM 1
GRATING & LADDER LAYOUT AT LEVEL-2



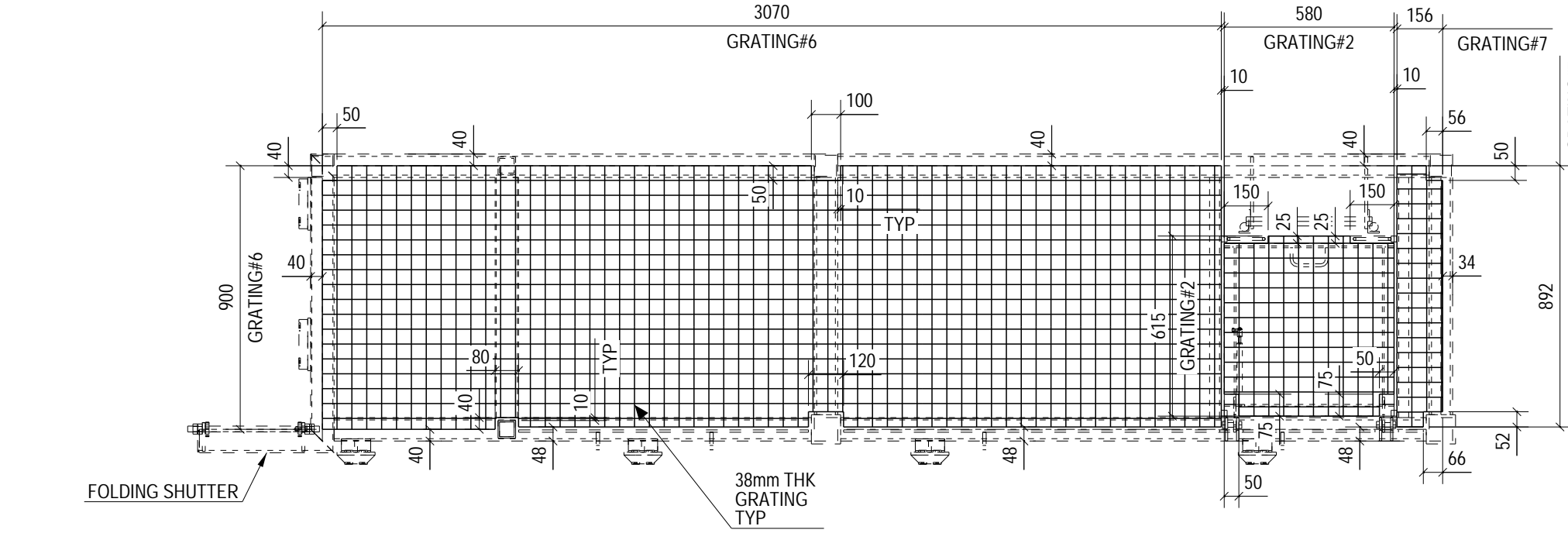
OS SIDE PLATFORM 1
GRATING & LADDER LAYOUT AT LEVEL-3



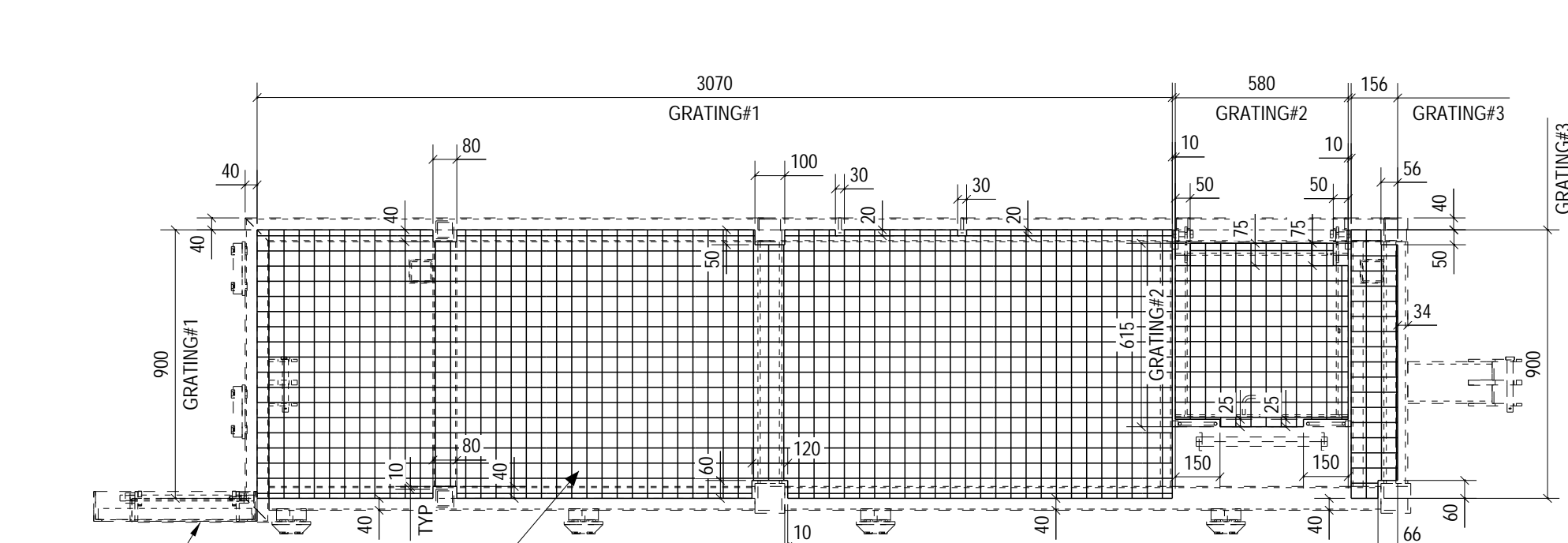
OS SIDE PLATFORM 2
GRATING & LADDER LAYOUT AT LEVEL-1



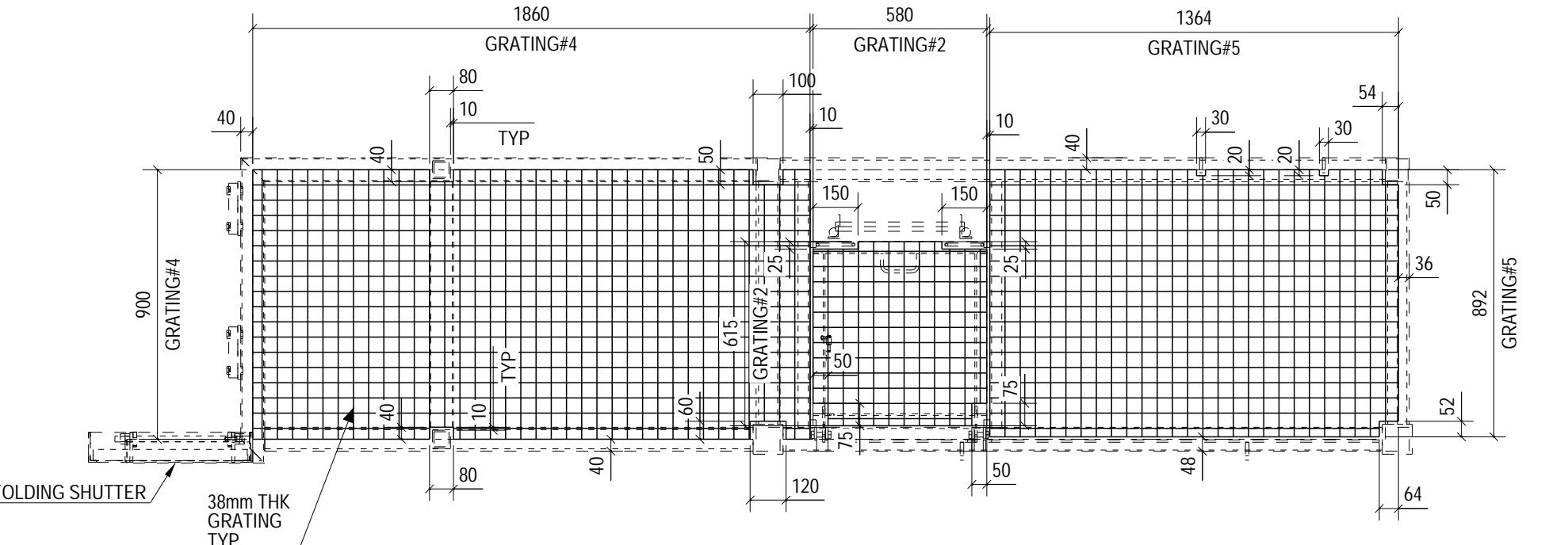
OS SIDE PLATFORM 2
GRATING & LADDER LAYOUT AT LEVEL-2



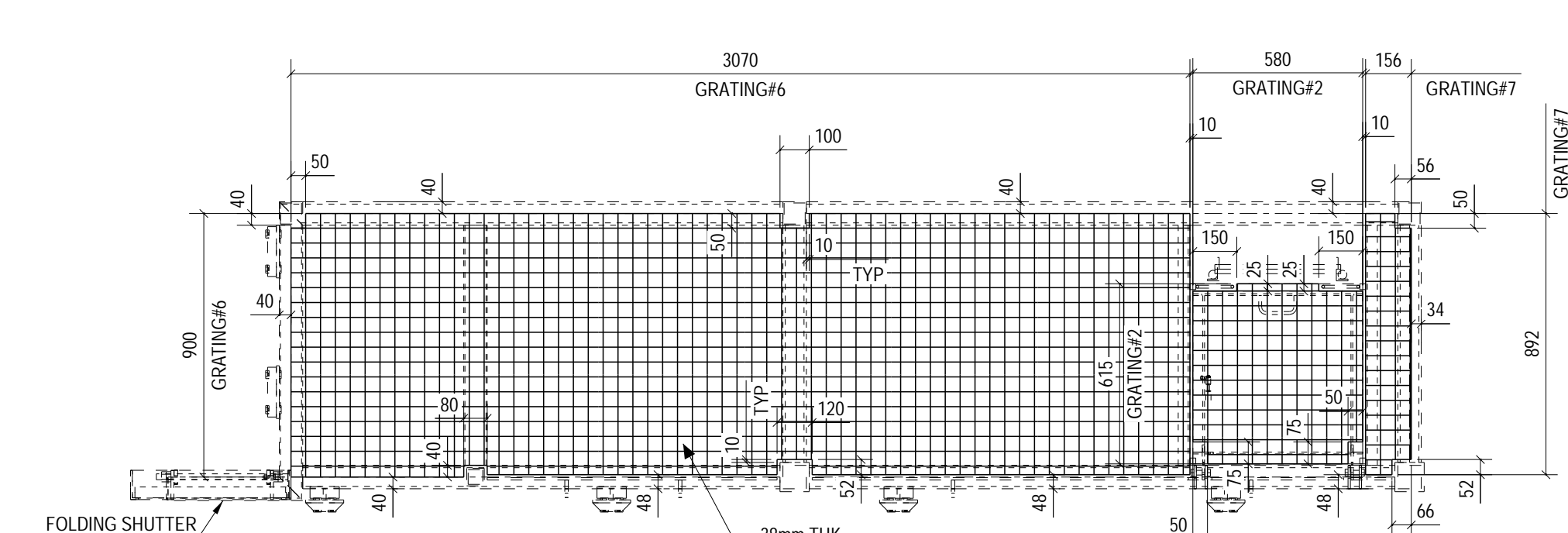
OS SIDE PLATFORM 2
GRATING & LADDER LAYOUT AT LEVEL-3



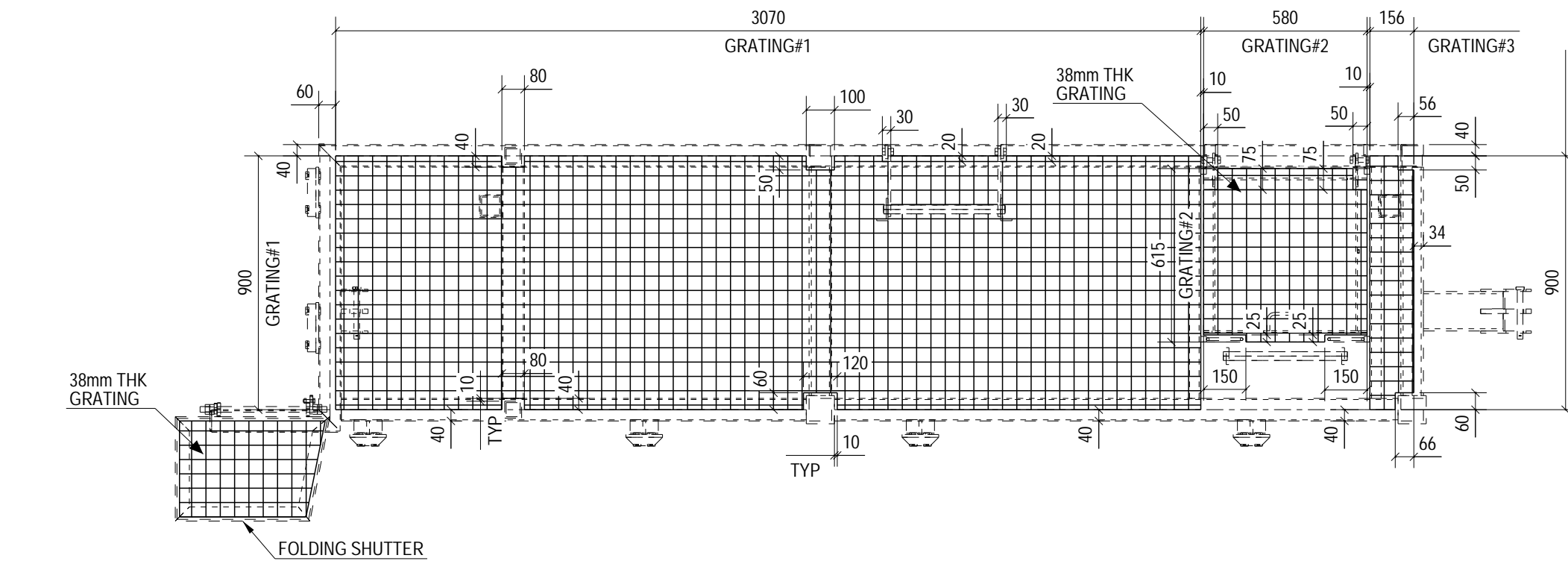
OS SIDE PLATFORM 3
GRATING & LADDER LAYOUT AT LEVEL-1



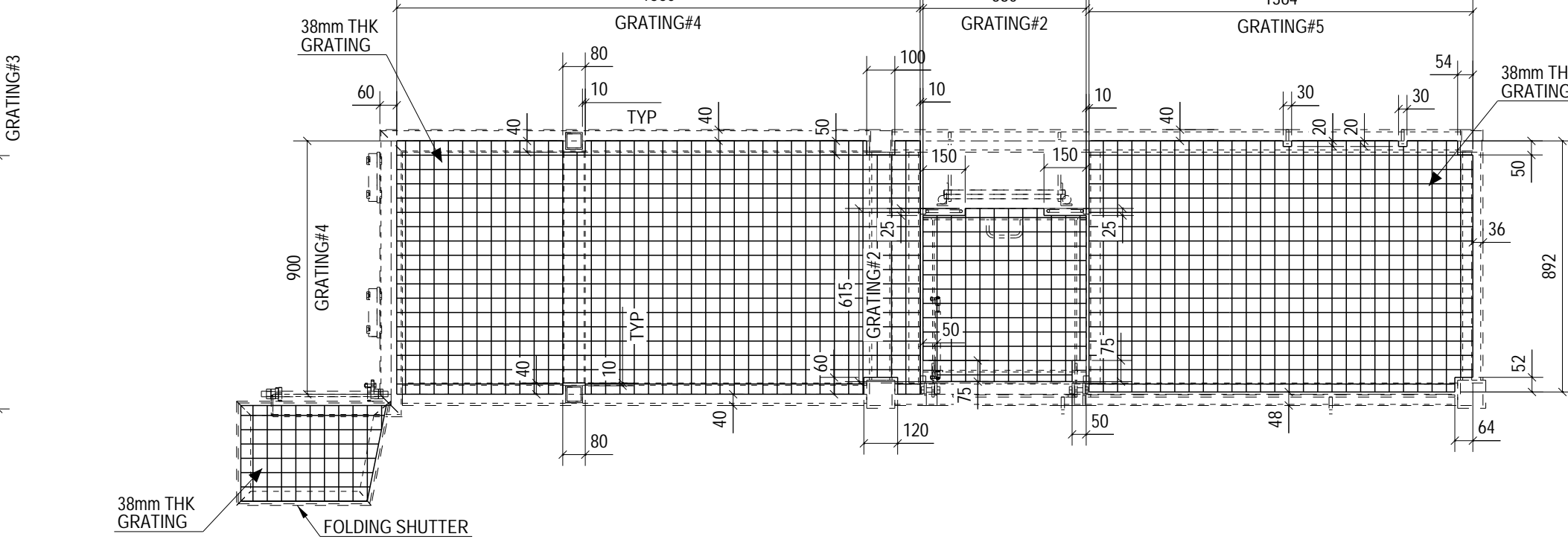
OS SIDE PLATFORM 3
GRATING & LADDER LAYOUT AT LEVEL-2



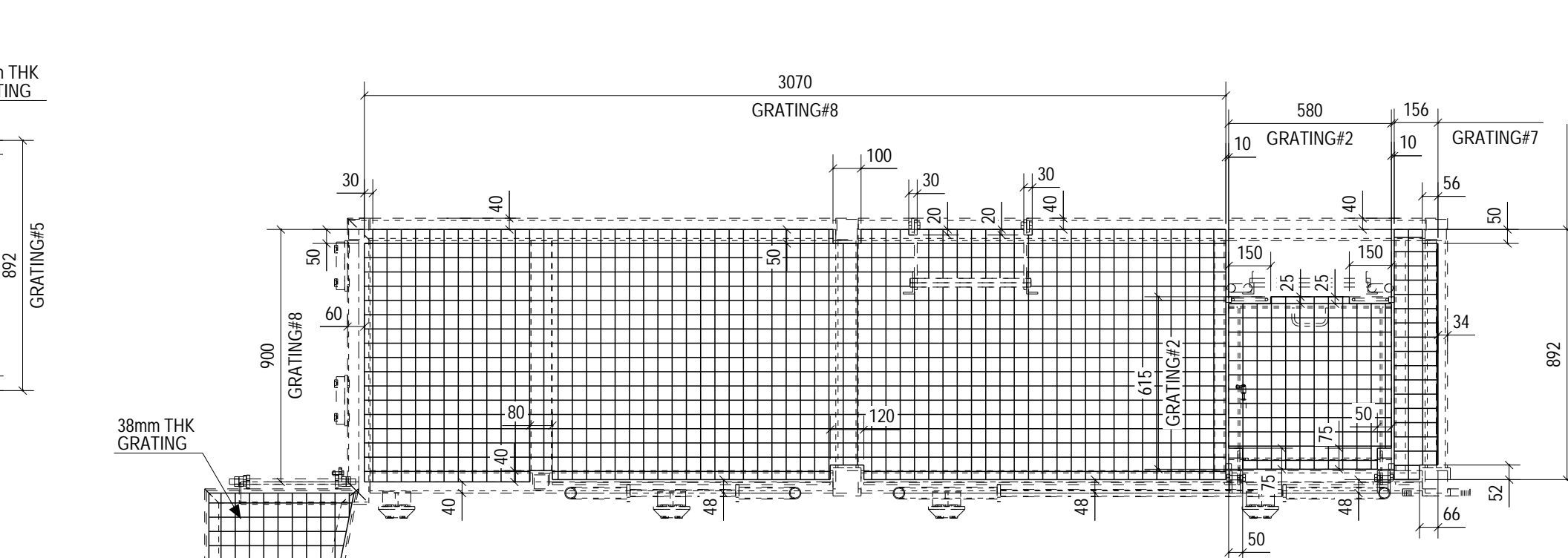
OS SIDE PLATFORM 3
GRATING & LADDER LAYOUT AT LEVEL-3



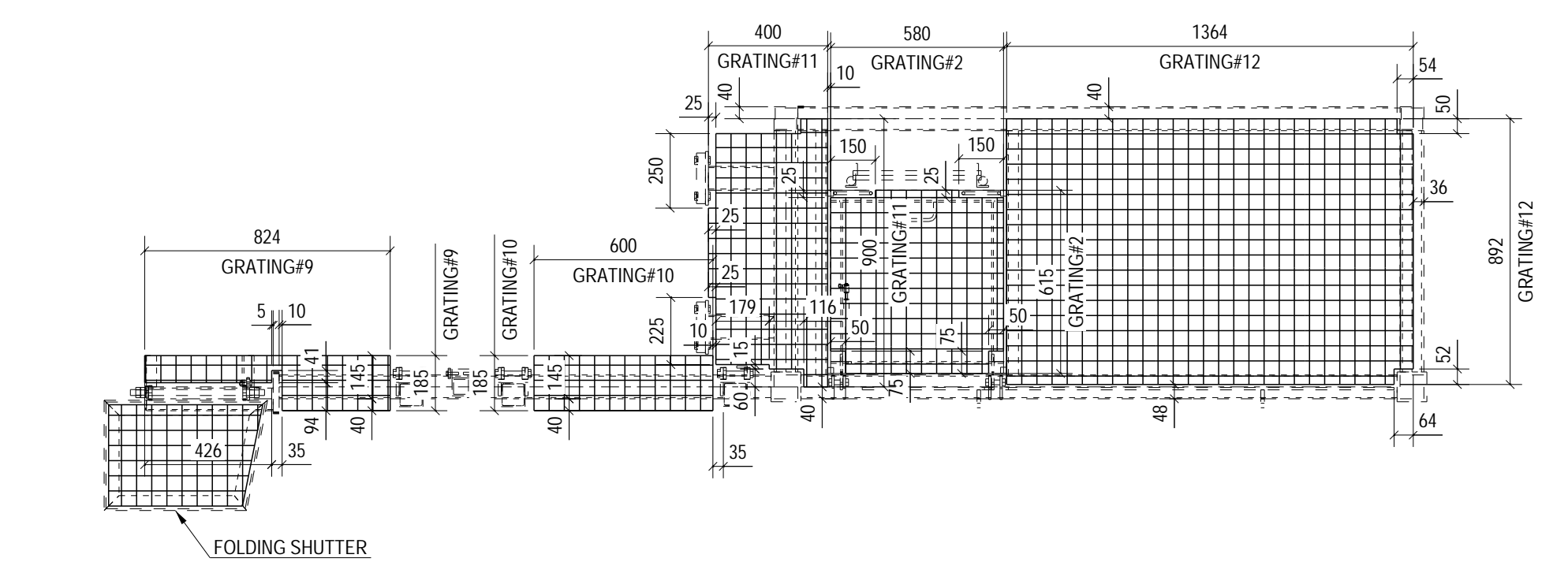
OS SIDE PLATFORM 4
GRATING & LADDER LAYOUT AT LEVEL-1



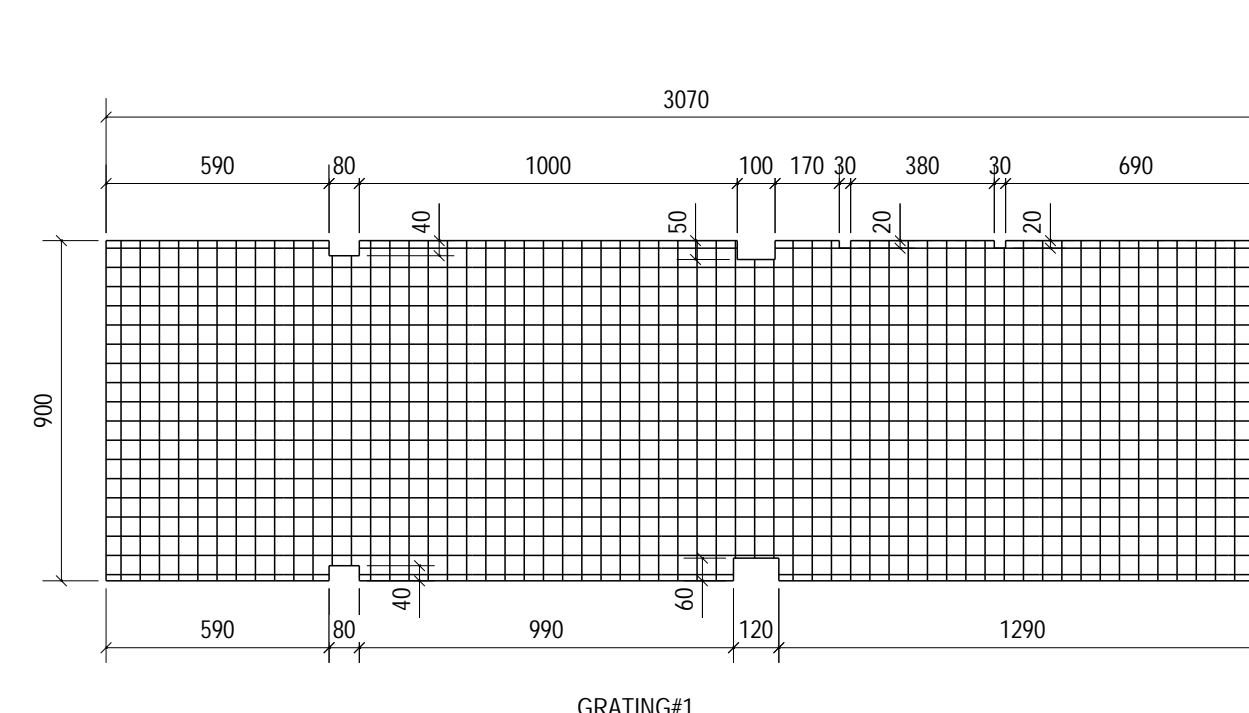
OS SIDE PLATFORM 4
GRATING & LADDER LAYOUT AT LEVEL-2



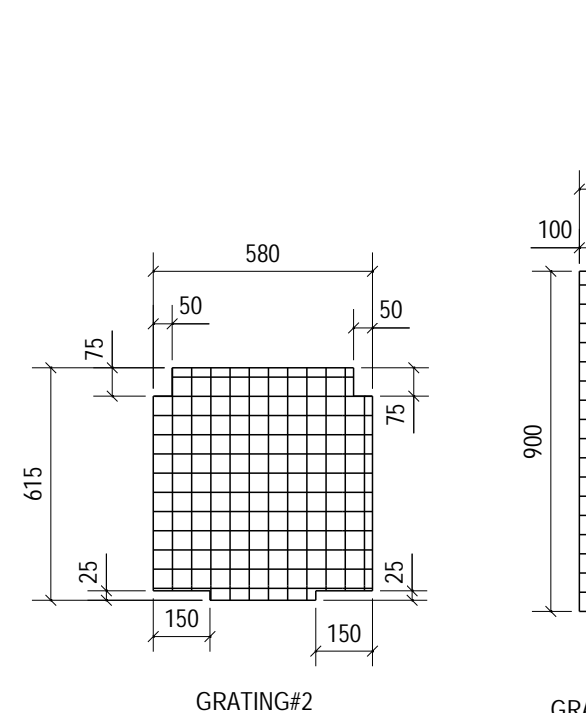
OS SIDE PLATFORM 4
GRATING & LADDER LAYOUT AT LEVEL-3



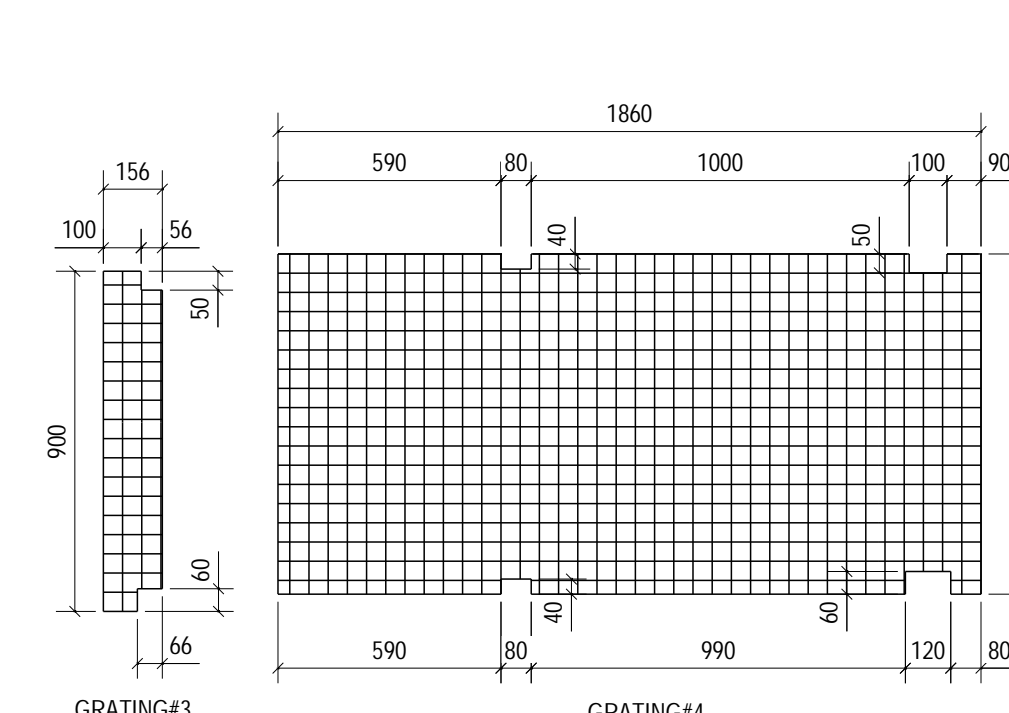
OS SIDE PLATFORM 4
GRATING & LADDER LAYOUT AT LEVEL-4



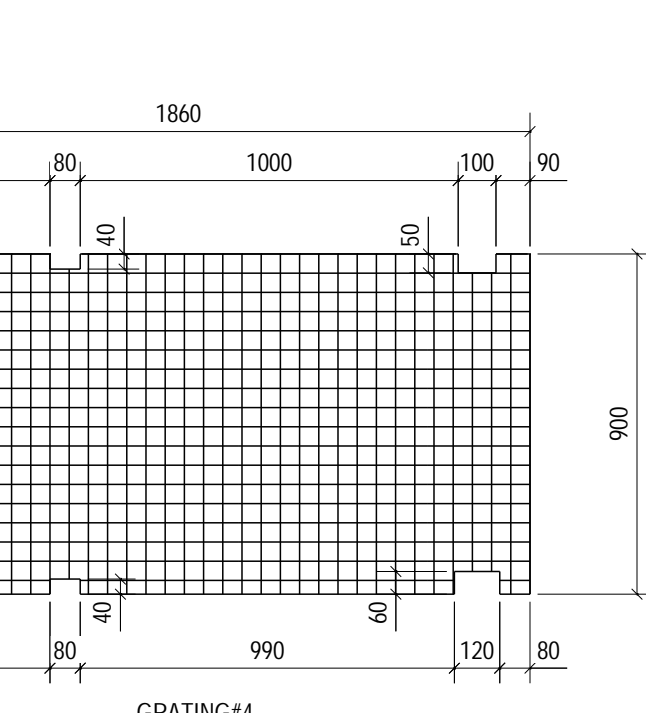
GRATING#1
(14 QTY)



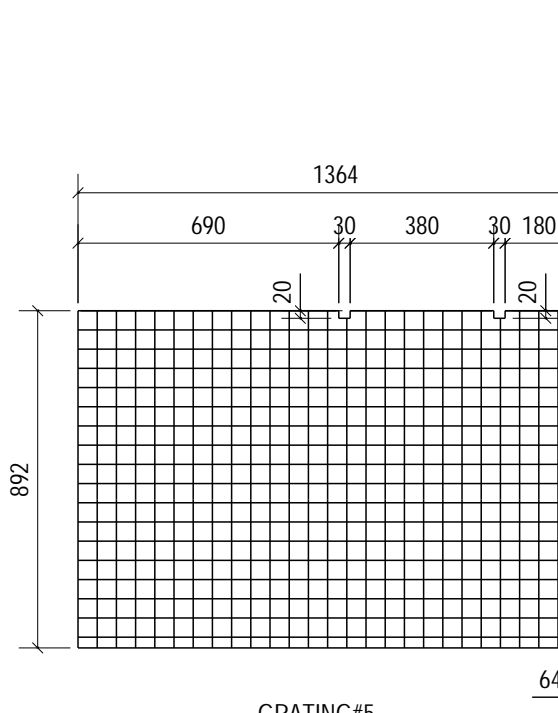
GRATING#2
(56 QTY)



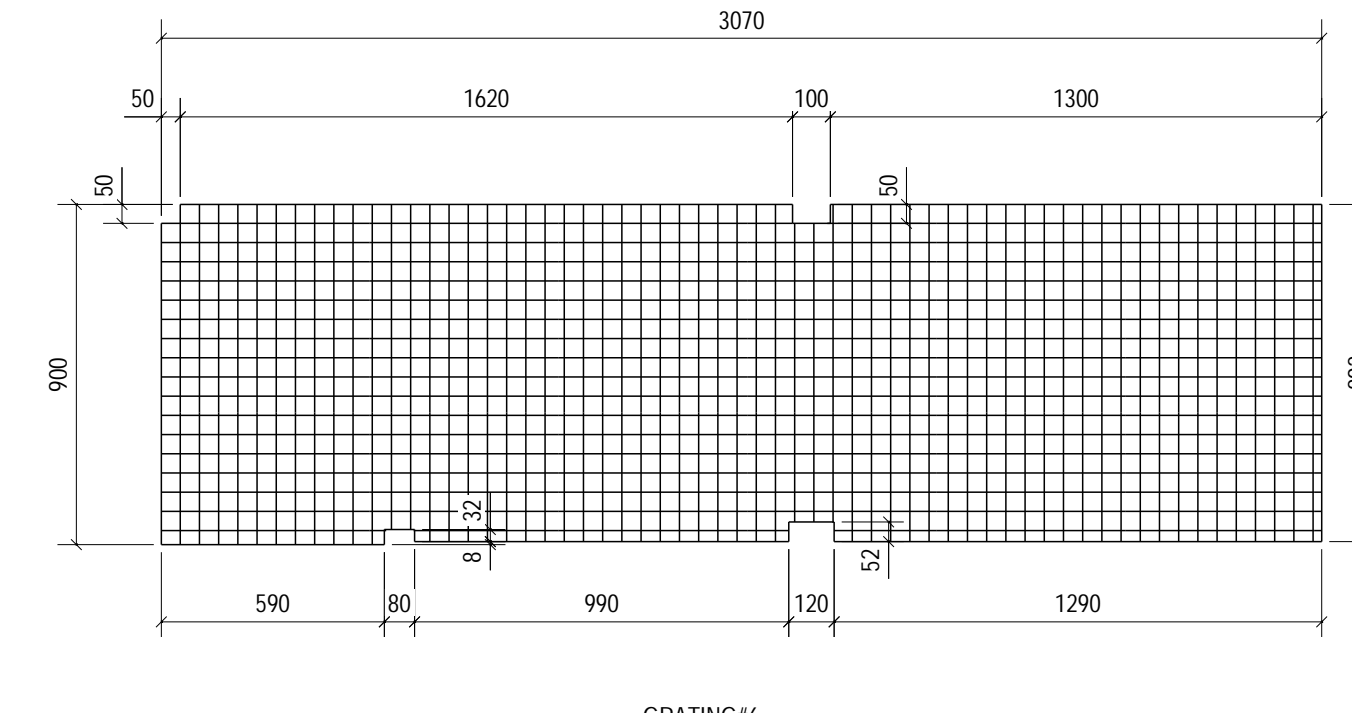
GRATING#3
(14 QTY)



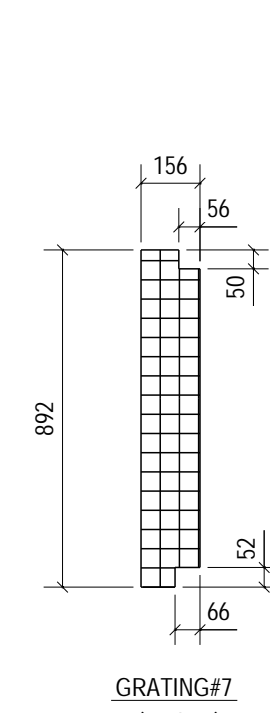
GRATING#4
(14 QTY)



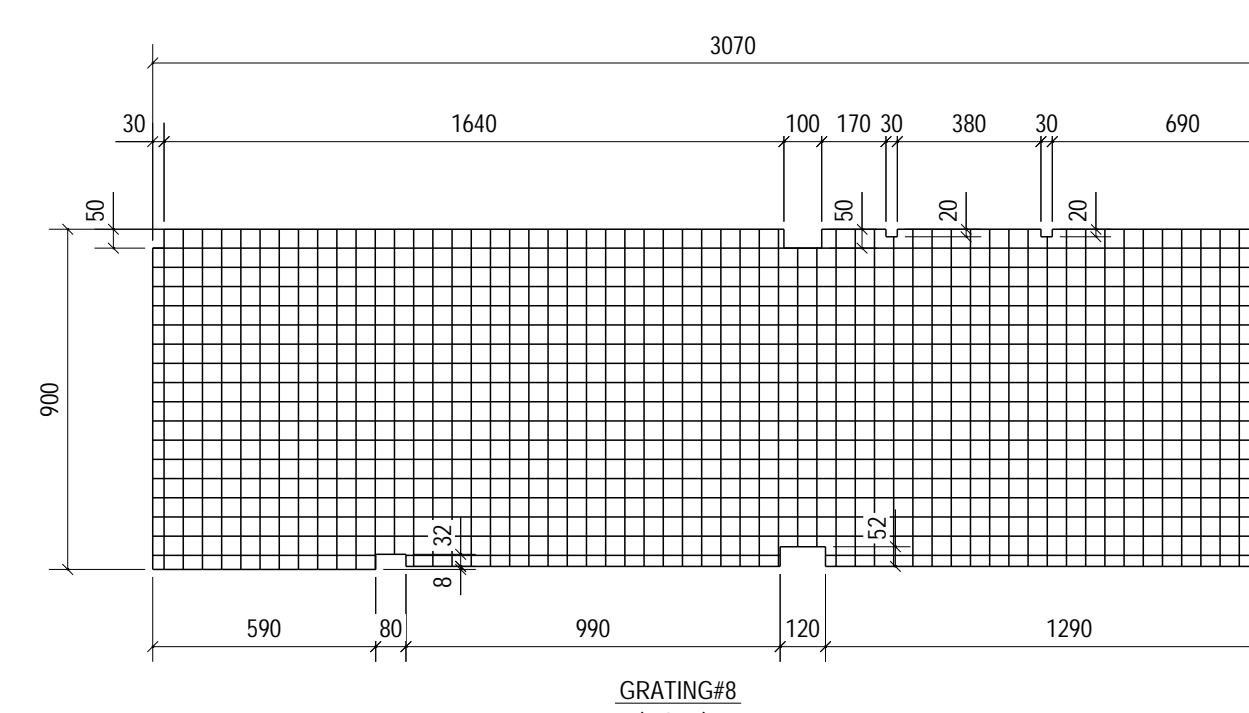
GRATING#5
(16 QTY)



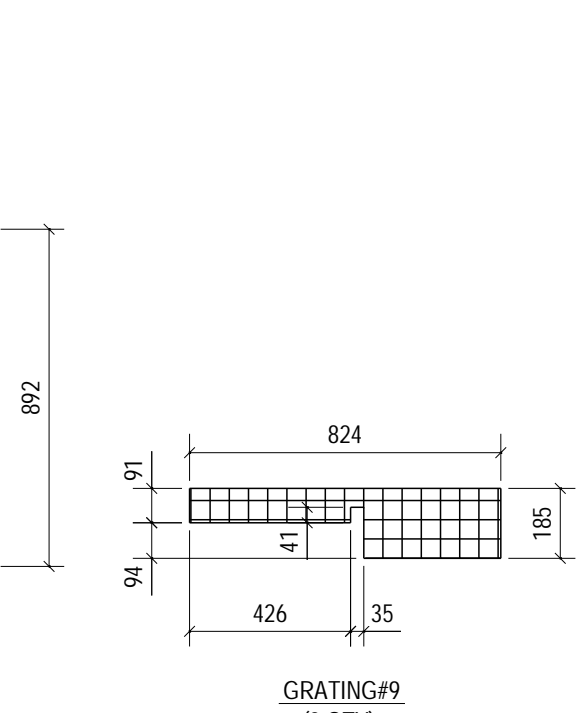
GRATING#6
(8 QTY)



GRATING#7
(14 QTY)



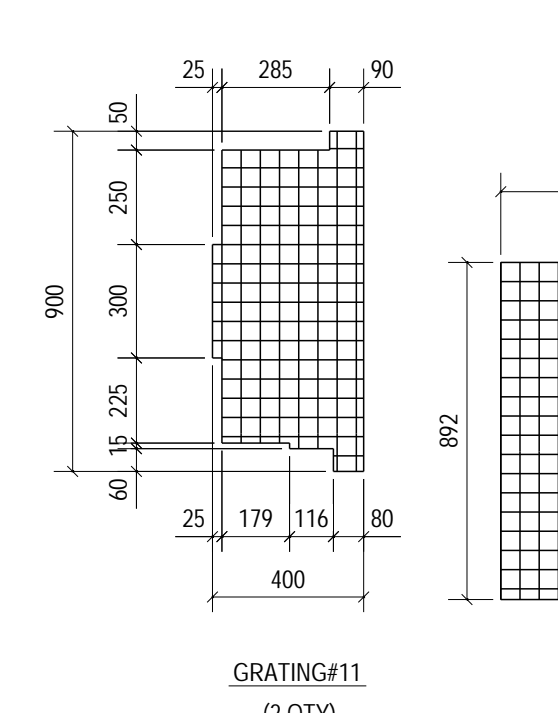
GRATING#8
(4 QTY)



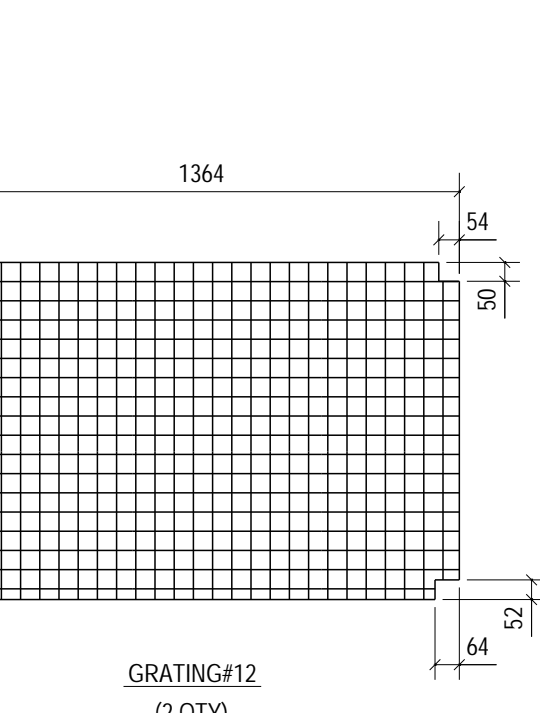
GRATING#9
(8 QTY)



GRATING#10
(8 QTY)



GRATING#11
(2 QTY)



GRATING#12
(2 QTY)

KEY PLAN

No.	Description	Date
0	FOR FABRICATION	17/03/202
REVISIONS		

PROJECT _____

CONTRACTOR _____

SHEET INFORMATION	
Issue Purpose	FOR FABRICATION
Drawn	MPV
Checked	JKS
Approved	
Scale	

SHEET TITLE
OS SIDE PLATFORM GRATING LAYOUT

PROJECT NO.	2000208	ISSUE NO.	0
E-1			